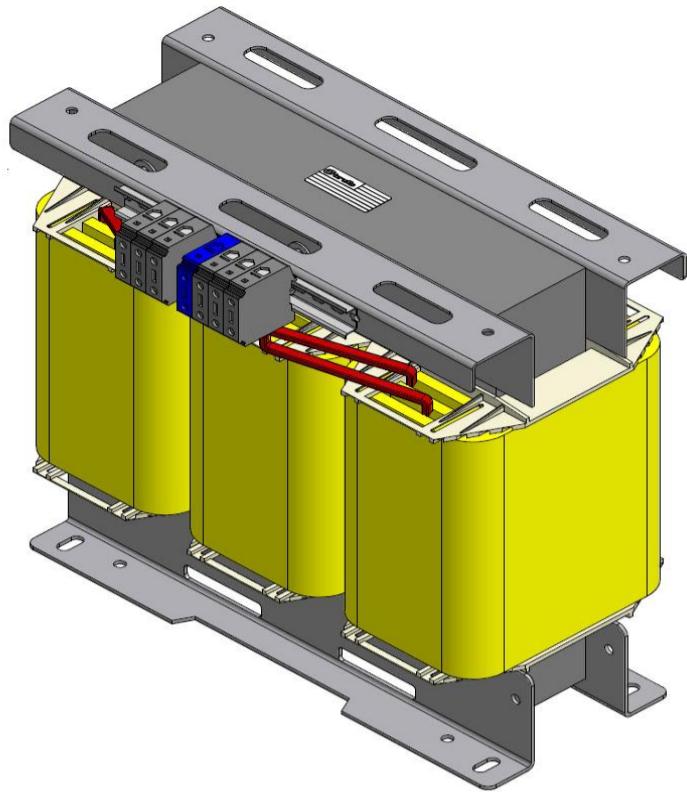


TRASFORMATORI TRIFASE AD ALTO RENDIMENTO IN ALLUMINIO

Aluminium three phase Transformers at high efficiency



Trasformatori trifase di isolamento ad alto rendimento
per energie rinnovabili (EN 61558-1 / 2-4 // EN 60076/11)
serie SIFV esecuzione in classe B
servizio continuo con temperatura ambiente 40°C
tensioni 400 / 400 V con collegamento YNyn0

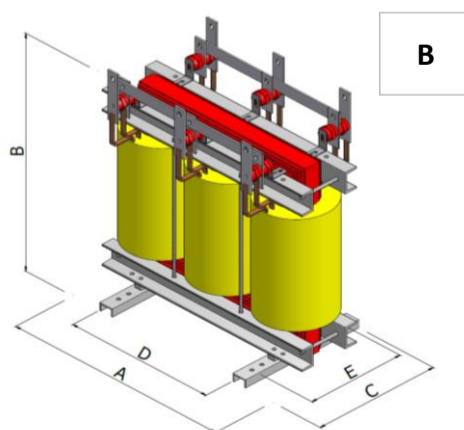
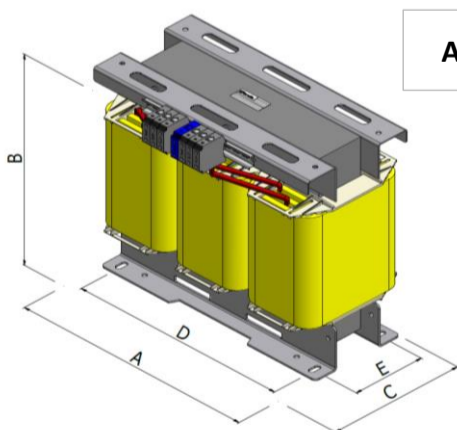
*Three phase insulation transformers at high efficiency
for renewable energies (EN 61558-1 / 2-4 // EN 60076/11)
SIFV Series, temperature class B
suitable for working in continuous
with environment temperature of 40°C
voltage 400 / 400 V with YNyn0 connection*

Caratteristiche - Feature

| | | |
|--|----|----|
| Frequenza <i>Frequency</i> | Hz | 50 |
| Grado di protezione <i>Protection degree</i> | IP | 00 |
| Classe di protezione <i>Protection class</i> | | I |
| Classe di temperatura <i>Temperature class</i> | | B |
| Classe di isolamento <i>Insulation system class</i> | | F |
| Temperatura ambiente massima <i>Max environment temperature</i> | °C | 40 |

| | | |
|--|-------------------------------|-----------|
| Raffreddamento <i>Cooling</i> | in aria <i>air</i> | |
| Ventilazione <i>Ventilation</i> | naturale <i>natural</i> | |
| Tropicalizzato <i>Tropicalized</i> | si <i>yes</i> | |
| Materiale avvolgimenti <i>Winding material</i> | alluminio <i>aluminium</i> | |
| Materiale lamierini <i>Core material</i> | Fe Si G. O. | |
| Tensione primaria e secondaria <i>Primary & secondary voltage</i> | V | 400 / 400 |

| Codice <i>Code</i> | Potenza <i>Power</i> (VA) | Dimensioni (mm) <i>Dimensions (mm)</i> | | | Peso <i>Weight</i> (kg) | Tipo <i>Type</i> | Perdite (W) <i>Losses (W)</i> | | Gruppo v. <i>Group</i> | Box |
|-----------------------|---------------------------------|---|------|-----|-------------------------------|---------------------|----------------------------------|------|---------------------------|--------|
| | | A | B | C | | | Fe | Al | | |
| SIFV12000.1 | 12.000 | 420 | 396 | 195 | 78 | A | 90 | 436 | YNyn0 | 799304 |
| SIFV16000.1 | 16.000 | 480 | 472 | 208 | 96 | A | 114 | 580 | YNyn0 | |
| SIFV20000.1 | 20.000 | 480 | 472 | 248 | 138 | A | 168 | 585 | YNyn0 | |
| SIFV25000.1 | 25.000 | 600 | 550 | 335 | 153 | A | 185 | 560 | YNyn0 | |
| SIFV30000.1 | 30.000 | 600 | 550 | 345 | 170 | A | 205 | 631 | YNyn0 | |
| SIFV35000.1 | 35.000 | 600 | 550 | 355 | 185 | A | 222 | 763 | YNyn0 | |
| SIFV40000.1 | 40.000 | 600 | 550 | 365 | 200 | A | 245 | 858 | YNyn0 | |
| SIFV50000.1 | 50.000 | 600 | 550 | 375 | 220 | A | 267 | 1010 | YNyn0 | |
| SIFV63000.1 | 63.000 | 600 | 550 | 395 | 258 | A | 323 | 1200 | YNyn0 | |
| SIFV70000.1 | 70.000 | 600 | 550 | 405 | 275 | A | 353 | 1177 | YNyn0 | |
| SIFV75000.1 | 75.000 | 600 | 550 | 415 | 290 | A | 377 | 1250 | YNyn0 | |
| SIFV80000.1 | 80.000 | 750 | 710 | 380 | 315 | B | 356 | 1506 | YNyn0 | 799316 |
| SIFV90000.1 | 90.000 | 790 | 770 | 390 | 340 | B | 380 | 1750 | YNyn0 | |
| SIFVK0100.1 | 100.000 | 790 | 770 | 390 | 360 | B | 400 | 1949 | YNyn0 | |
| SIFVK0125.1 | 125.000 | 800 | 860 | 390 | 421 | B | 487 | 2347 | YNyn0 | |
| SIFVK0160.1 | 160.000 | 840 | 880 | 405 | 520 | B | 565 | 2737 | YNyn0 | 799318 |
| SIFVK0200.1 | 200.000 | 870 | 990 | 415 | 614 | B | 696 | 2860 | YNyn0 | |
| SIFVK0250.1 | 250.000 | 930 | 1000 | 525 | 679 | B | 812 | 3170 | YNyn0 | |
| SIFVK0315.1 | 315.000 | 975 | 1061 | 535 | 860 | B | 980 | 3560 | YNyn0 | |
| SIFVK0400.1 | 400.000 | 1005 | 1180 | 545 | 1031 | B | 1150 | 3950 | YNyn0 | 799309 |
| SIFVK0500.1 | 500.000 | 1100 | 1200 | 600 | 1150 | B | 1200 | 5150 | YNyn0 | |



dati indicativi e non vincolanti che possono subire delle modifiche o variazioni senza preavviso
indicative and non-binding data which may change without notice

rev. 230727
UT.082.BT.05_T3_ER_AI